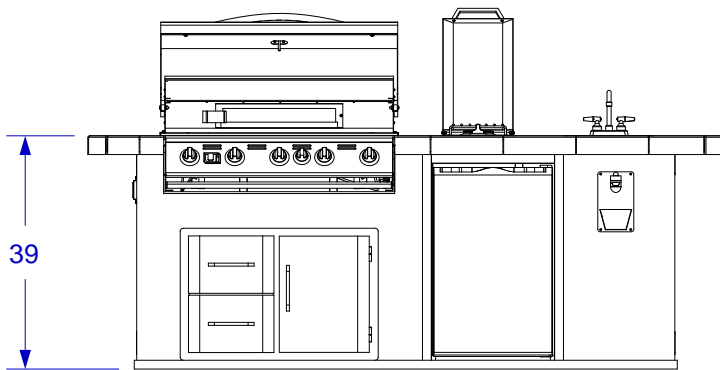
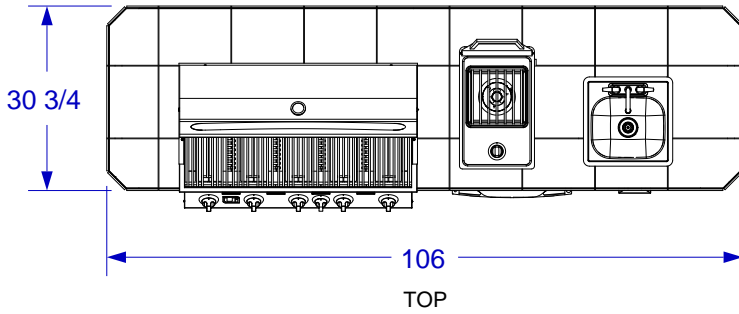
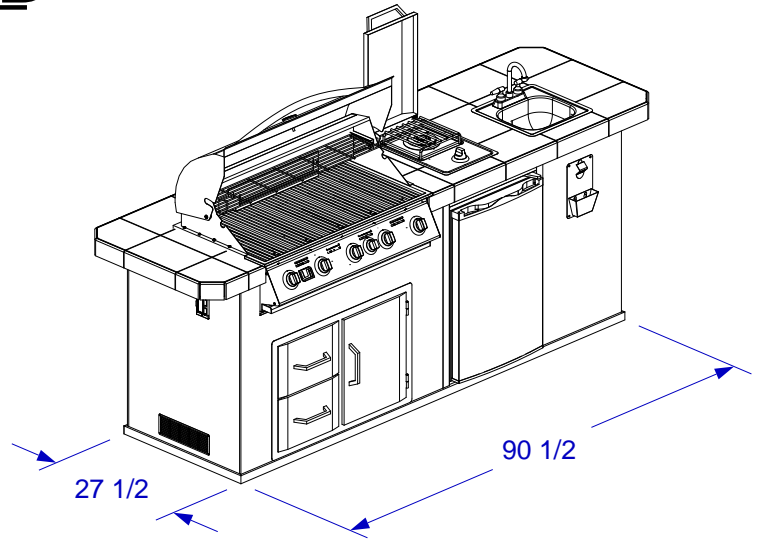
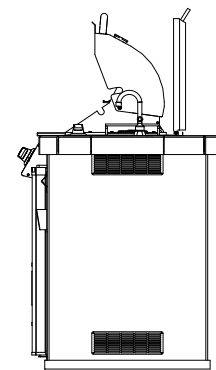


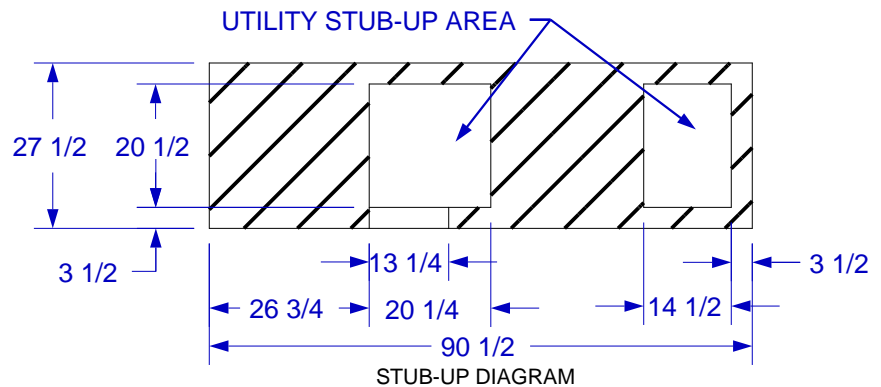
# UI 5 BURNER ISLAND SPEC SHEET



FRONT



RIGHT



- NOTES:**
1. 6" MAX HEIGHT ON ALL STUB-UPS.
  2. SCALE: 3/8" = 1'-0"